

# Instruction for tractor gears for power take-offs

560-20380S-2, 560-30380S-3, 560-31380S-3, 560-30380M-3 and 560-30200S-3

ANV029

EN

Recommended oil: SAE 90EP GL5

The gear can be turned upside down if the bottom plug and air nipple are switched.

Check the oil level regularly and replace after 30/50 hours or at the latest every 12th months.

## Calculation of power output over tractor gear

Torque: Nm

Output speed: rpm

Output: kW

$$kW = \frac{Nm \cdot rpm}{9550}$$

Example for **560-30380S-3**  
at 540 rpm input speed

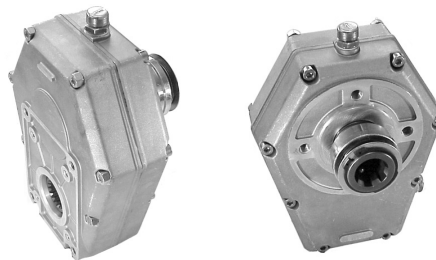
$$kW = \frac{122 \cdot (540 \cdot 3,8)}{9550}$$

kW = 26,2

Part no: **560-20380S-2**

Only for pump group 2.

Gear ratio: 1:3,8

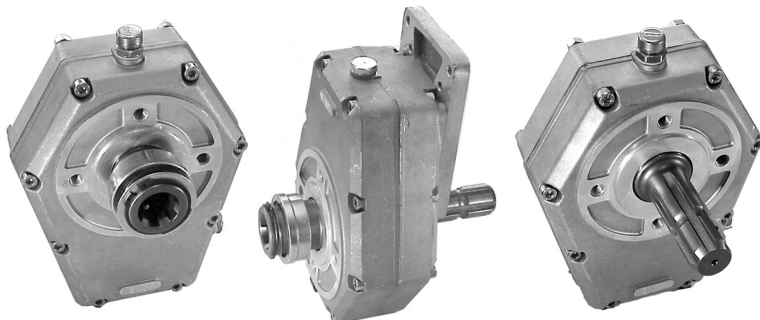


Group 2 pump, splines coupling with 14 splines, tightening torque nut 22-25 Nm.

Part no: **560-30380S-3,**  
**560-31380S-3,**  
**560-30380M-3,**  
**560-30200S-3**

Both for pump group 2 and 3.

Gear ratio: 1:2/1:3,8



Group 2 pump, splines coupling with 18 splines, tightening torque nut 32-35 Nm.

Group 3 pump, splines coupling with 18 splines, tightening torque nut 50-55 Nm.

2023-10-02



Olssons i Ellös AB • Tel. +46 304-751010  
Slätthultsvägen 12 • S-474 31 Ellös  
www.olssonparts.com • order@olssonparts.com