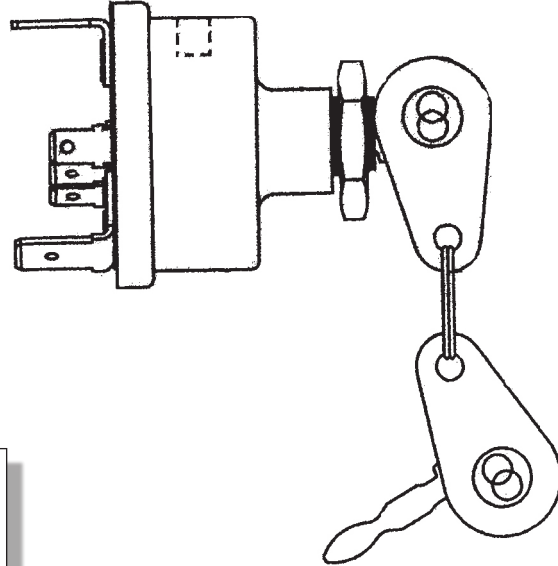
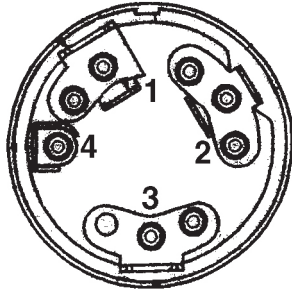


Instruction for ignition switch

2846130

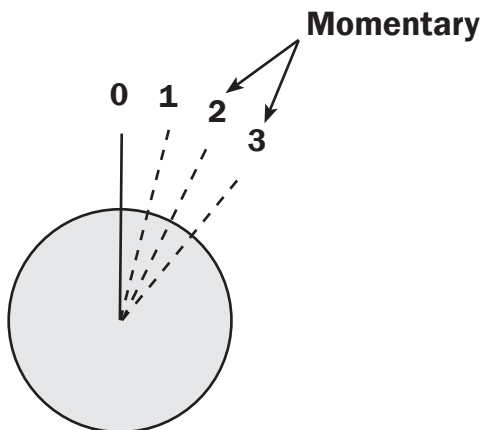
ANV047

EN



Connection

1. + Supply
2. Ignition
3. Heater plug
4. Starter motor



Positions

- | | |
|----------------------|---------|
| 0. — | |
| 1. Ignition position | 1-2 |
| 2. Heating position | 1-2-3 |
| 3. Start position | 1-2-3-4 |

2021-11-08



Olssons i Ellös AB • Tel. +46 304-751010
Slätthultsvägen 12 • S-474 31 Ellös
www.olssonparts.com • order@olssonparts.com