

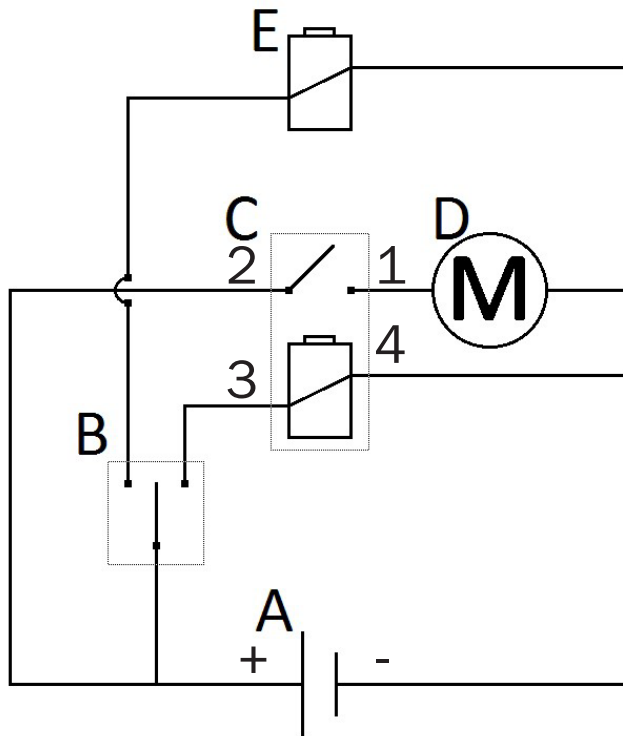
Instruction for single-acting compact power unit

41729 and 44469

ANV171

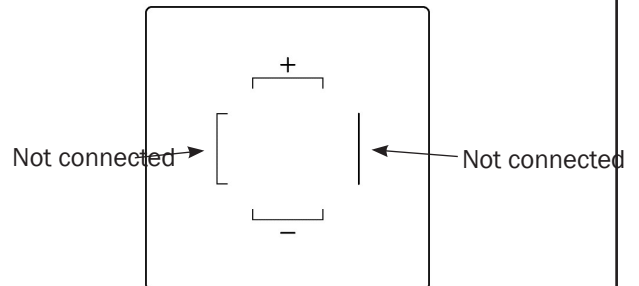
EN

Before you start to connect your compact power pack, make sure you know what all the connections do and what they should be connected to. If you are unsure of the connection, contact customer service or a tradesman.



- A) voltage source, for example, battery
- B) toggle switch
- C) starter relay for control of the electric motor
- D) electric motor
- E) magnet for control of the return valve (lower valve, Hirschmann connector)

Connection of the Hirschmann connector:



Example images are shown below of how connection of the DC motor should be performed:



Start relay C

1. To electric motor (connection 6).
2. To battery's positive terminal.
3. To power switch.
4. To battery's negative terminal (possibly via connection 5).



Electric motor D

5. To the battery's negative terminal.
6. To the start relay (1).

2021-11-08



Olssons i Ellös AB • Tel. +46 304-751010
Slätthultsvägen 12 • S-474 31 Ellös
www.olssonparts.com • order@olssonparts.com