

# Instruction for snow dozer valve

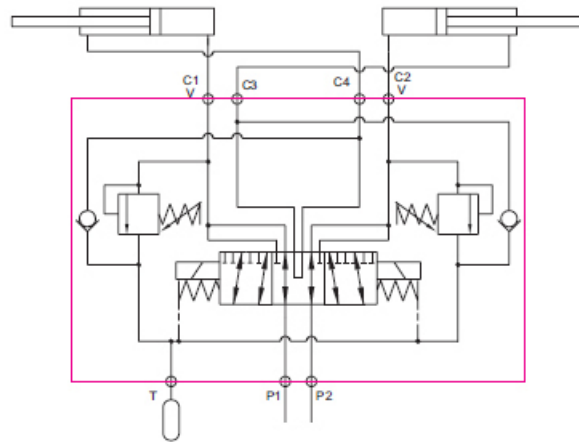
38279 and 38379

ANV183

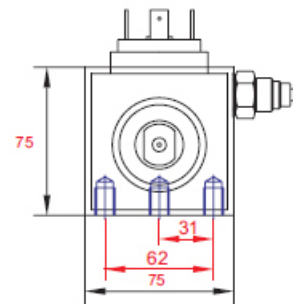
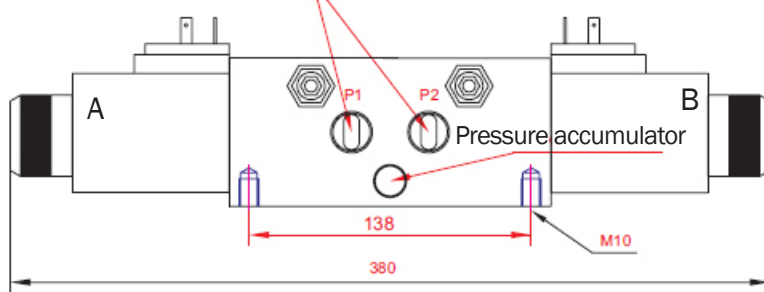
EN

Solenoid controlled 8/3 selector valve

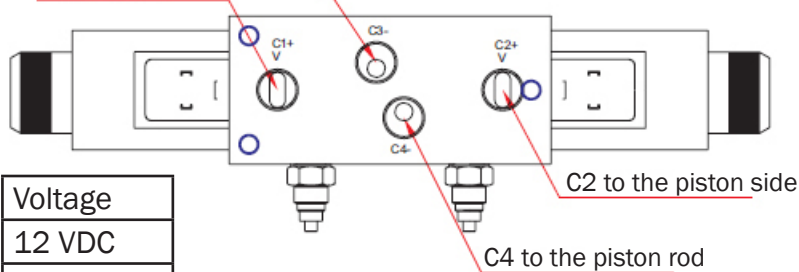
Limiter valve with connection to the pressure accumulator



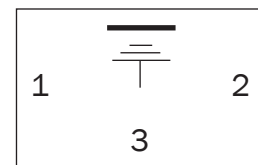
Control pressure P1/P2



C3 to the piston rod  
C1 to the piston side



Voltage
12 VDC
24 VDC



- 1 +
- 2 -
- 3 should not be connected

Part no.	Threaded connection	Flow/min	Max. pressures bar
38379	R 3/8"	50	210
38279	R 1/2"	75	210

Current to magnet A = P1-C3 and P2-C2 Right wing controlled

Current to magnet B = P1-C1 and P2-C4 Left wing controlled

Both magnets unactuated =

The whole dozer moves as a diagonal dozer under the condition that the wings are in line with each other.

2021-11-08



Olssons i Ellös AB • Tel. +46 304-751010  
Slätthultsvägen 12 • S-474 31 Ellös  
www.olssonparts.com • order@olssonparts.com