

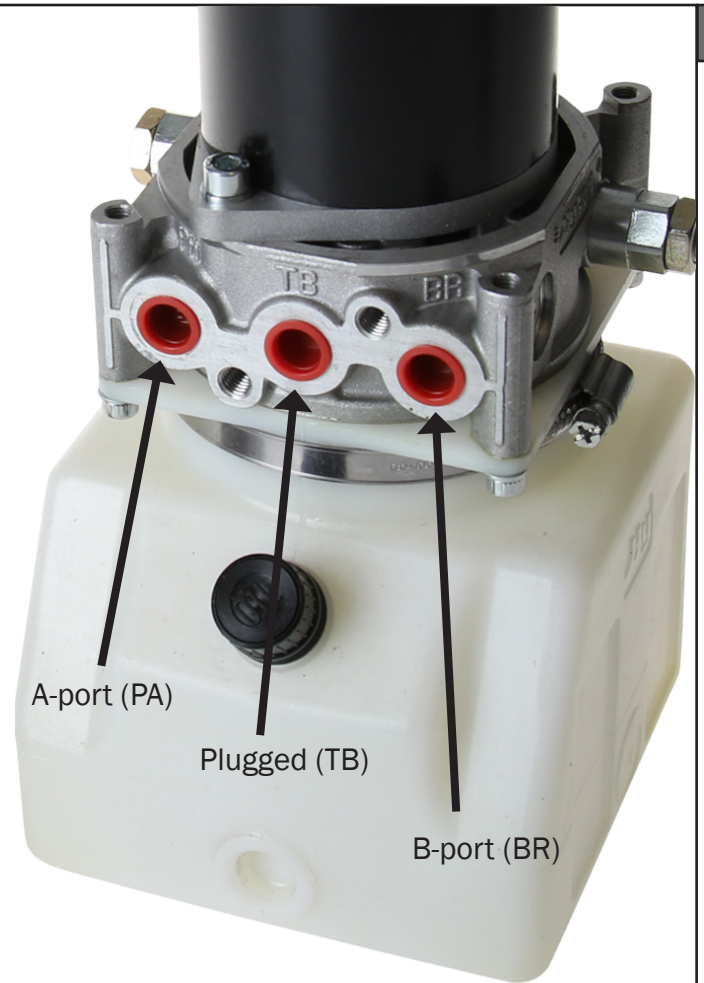
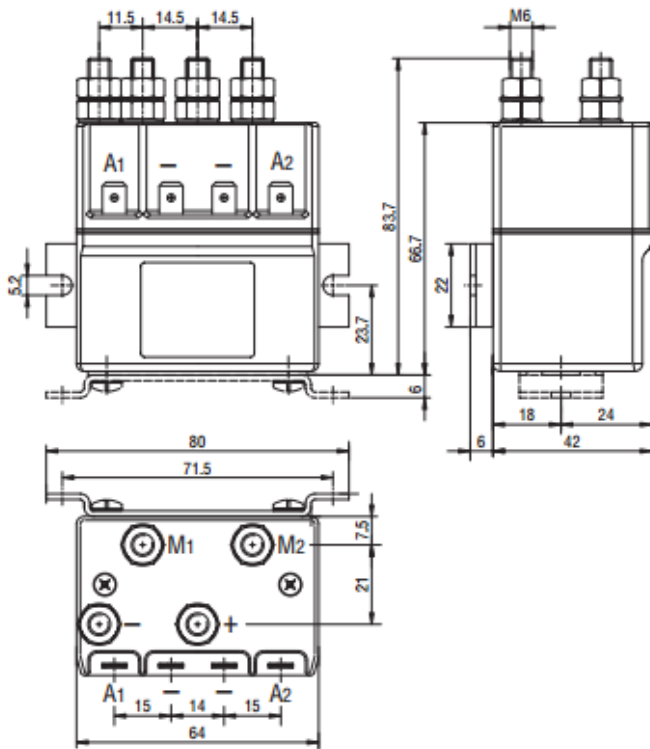
Connection instruction

50804, 50805 and 64514

ANV212

EN

Designed for horizontal use.



The DC motor is equipped with thermal switch (brown cables from motor)
To enable this switch use the following setup:

